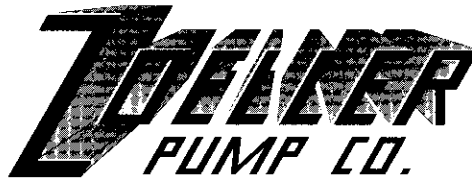


"QUALITY PUMPS SINCE 1939"



SECTION: 2.20.010

FM0493

0894

Supersedes

1293

Product information presented here reflects conditions at time of publication. Consult factory regarding discrepancies or inconsistencies.

MAIL TO: P.O. BOX 16347 • Louisville, KY 40256-0347
SHIP TO: 3280 Old Millers Lane • Louisville, KY 40216
(502) 778-2731 • 1 (800) 928-PUMP • FAX (502) 774-3624

\$149.50

COMPARE THESE FEATURES

- Non-clogging vortex impeller.
- Float operated, submersible (NEMA 6) 2 pole mechanical switch & variable level long cycle systems available.
- UL-listed 3-wire cord and plug.- 9 ft. standard for automatic. 15 ft. standard for non-automatic.
- No sheet metal parts to rust or corrode.
- Stainless steel screws and switch arm.
- No screens to clog.
- Watertight neoprene "□" ring between motor and pump housing.
- Automatic reset thermal overload protection.
- Oil filled motor—hermetically sealed.
- Entire unit pressure tested after assembly.
- Carbon and ceramic shaft seal.
- Maximum temperature for effluent or dewatering—130°F. (54°C.)
- Passes 1/2" solids (sphere).
- 1 1/2" NPT Discharge.
- RPM 1550, 60 cycles.
- On point—7 1/2" • Off point—3".
- Major width—10 3/32". • Height—10 1/16".

SPECIAL MODEL FEATURES:

MODEL 53

- Cast iron switch case, motor & pump housing.
- Glass filled polypropylene base.
- Engineered, glass-filled impeller with metal insert.
- Galvanized guard & handle.
- Bearing - lower & upper oil fed cast iron.

MODEL 57

- All cast iron construction.
- Galvanized guard & handle.
- Bearing - lower & upper oil fed cast iron.

MODEL 55

- Bronze switch case, motor & pump housing.
- Glass filled polypropylene base.
- Engineered, glass-filled impeller with metal insert.
- Stainless steel guard & handle.
- Bearing - lower & upper oil fed bronze.

MODEL 59

- All bronze construction.
- Stainless steel guard & handle.
- Bearing - lower & upper oil fed bronze.

ALL MODELS ARE COMPLETELY SUBMERSIBLE HERMETICALLY SEALED

Water tight - dust tight. Permanently oiled bearings.

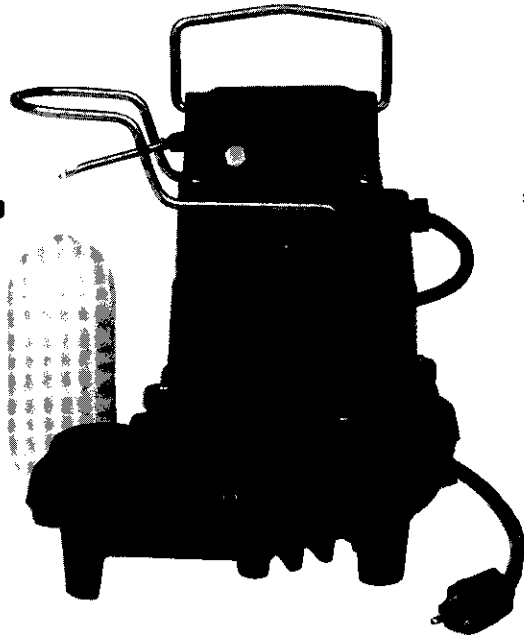
VARIABLE LEVEL CONTROL SYSTEMS AVAILABLE

Note: The sizing of effluent systems normally requires variable level float(s) controls and properly sized basins to achieve required pumping cycles.

**"53/57" Cast Iron Series
"55/59" Bronze Series
"MIGHTY-MATE"**

**SUBMERSIBLE PUMP
FOR
DEWATERING (SUMP)
OR
EFFLUENT (SEPTIC TANK SYSTEMS)**

**PASSES 1/2" SOLIDS
1 1/2" NPT DISCHARGE**



Sump & Sewage Pump Mfg. Assoc.
SSPMA Specification Number
53 Series #SC4425
55 Series #SB4415

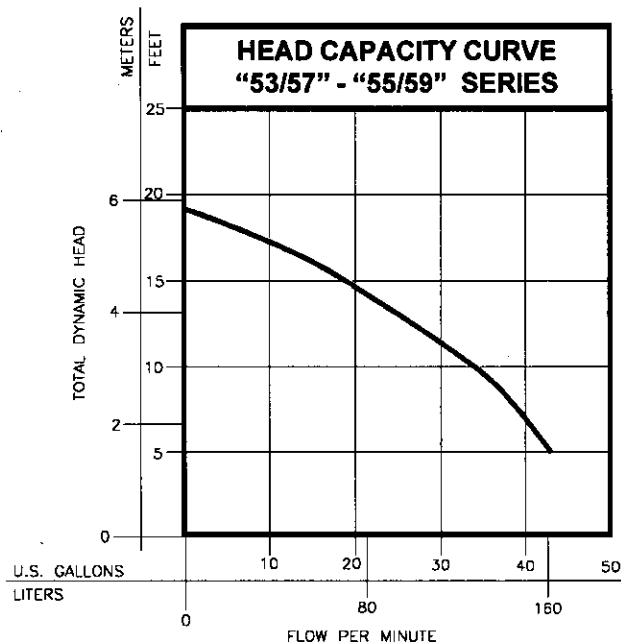
MODELS AVAILABLE

- Automatic or Non-Automatic
- "53/57" - .3 HP, 115V or 230V
- "55/59" - .3 HP, 115V only
- N53/N57 available packaged with Piggyback Variable Level Float Switch



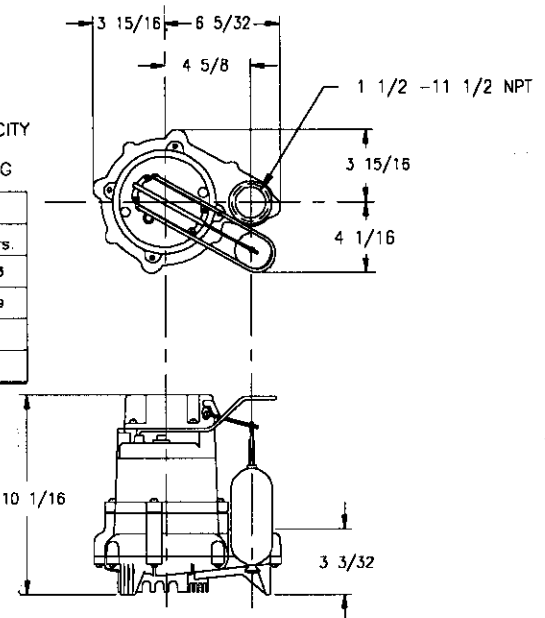
VORTEX TYPE IMPELLER

3 hp Mighty Mate



TOTAL DYNAMIC HEAD/CAPACITY PER MINUTE EFFLUENT AND DEWATERING

50 SERIES			
Ft.	Meters	Gal.	Ltrs.
5	1.52	43	163
10	3.05	34	129
15	4.57	19	72
Lock Valve:		19.25'	



CONSULT FACTORY FOR SPECIAL APPLICATIONS

- Variable level Float Switches available.
- Variable level long cycle systems available.
- Available with special cord lengths of 15', 25', 35' and 50'.
- Alarm systems available.
- Duplex systems available.

Standard cord length - automatic 9 ft.
Standard cord length - non-automatic 15 ft.

Model	M53/55 and 57/59 Series				Control Selection	
	Volts	Ph	Mode	Amps	Simplex	Duplex
M53/55 & M57/59	115	1	Auto	8.0	1 or 1 & 7	----
N53/55 & N57/59	115	1	Non	8.0	2 or 2 & 6	3 or 4 & 5
D53/55 & D57/59	230	1	Auto	4.0	1 or 1 & 7	----
E53/55 & E57/59	230	1	Non	4.0	2 or 2 & 6	3 or 4 & 5

53 Series - Wt. 22 lbs. 57 Series - Wt. 27 lbs.
55 Series - Wt. 24 lbs. 59 Series - Wt. 30 lbs.

SELECTION GUIDE

1. Integral float operated mechanical switch, no external control required.
2. Single piggyback variable level float switch or double piggyback variable level float switch. Refer to FM0447.
3. Mechanical alternator "M-Pak" 10-0072 or 10-0075.
4. See FM0712 for correct model of Electrical Alternator, "E-Pak".
5. Variable level control switch 10-0225 used as a control activator, with E-Pak (3) or (4) float system.
6. Four (4) hole "J-Pak", junction box, for watertight connection or wired-in simplex or 2 pump operation, P/N 10-0002.
7. Two (2) hole "J-Pak", junction box for watertight connection or splice, P/N 10-0003.

CAUTION

All installation of controls, protection devices and wiring should be done by a qualified licensed electrician. All electrical and safety codes should be followed including the most recent National Electric Code (NEC) and the Occupational Safety and Health Act (OSHA).

For information on additional Zoeller products refer to catalog on Combination starter, FM0514; Piggyback Variable Level Float Switches, FM0477; Electrical Alternator, FM0486; Mechanical Alternator, FM0495; Alarm Package, FM0513; and Sump/Sewage Basins, FM0487; and Simplex Control Box, FM0732.

RESERVE POWERED DESIGN

For unusual conditions a reserve safety factor is engineered into the design of every Zoeller pump.



ZOELLER
PUMP CO.

MAIL TO: P.O. BOX 16347
Louisville, KY 40256-0347
SHIP TO: 3280 Old Millers Lane
Louisville, KY 40216
(502) 778-2731 • 1 (800) 928-PUMP
FAX (502) 774-3624

Manufacturers of . . .

"QUALITY PUMPS SINCE 1939"