

"QUALITY PUMPS SINCE 1939"

Product information presented here reflects conditions at time of publication. Consult factory regarding discrepancies or inconsistencies.

ZOELLNER PUMP CO.



SECTION: 2.20.040

FM0411

1093

Supersedes

0393

MAIL TO: P.O. BOX 16347 • Louisville, KY 40256-0347
SHIP TO: 3280 Old Millers Lane • Louisville, KY 40216
(502) 778-2731 • 1 (800) 928-PUMP • FAX (502) 774-3624

COMPARE THESE FEATURES

- Non-clogging vortex impeller design.
- Float operated submersible (NEMA 6) 2 pole mechanical switch.
- Durable cast construction. Cast switch case, motor and pump housing, base and impeller. No sheet metal parts to rust or corrode.
- Stainless steel screws, bolts, handle, guard, and arm and seal assembly.
- Bronze units available.
- UL-listed 3-wire neoprene cord and plug.
10 ft. standard for automatic.
15 ft. standard for non-automatic.
- Thermal overload protected on single phase pumps.
- Oil filled motor—hermetically sealed.
- Carbon and ceramic shaft seal.
- Maximum temperature for effluent or dewatering—130°F. - 54°C.
- 60 cycles, 1725 RPM.
- Passes 5/8 inch solids (sphere).
- No screens to clog.
- 1½" NPT Discharge.
- On point—9¾"
Off point—3".
- Major width—11¾".
- Height—13".

**SIMPLEX AND DUPLEX
SYSTEMS AVAILABLE**

PACKAGED SYSTEMS AVAILABLE

**VARIABLE LEVEL CONTROL SYSTEMS
AVAILABLE**

ZOELLNER PUMP CO.

MAIL TO: P.O. BOX 16347
Louisville, KY 40256-0347
SHIP TO: 3280 Old Millers Lane
Louisville, KY 40216
(502) 778-2731 • 1 (800) 928-PUMP
FAX (502) 774-3624



Manufacturers of . . .

"QUALITY PUMPS SINCE 1939"

"137" Cast Iron Series "139" Bronze Series "FLOW MATE"

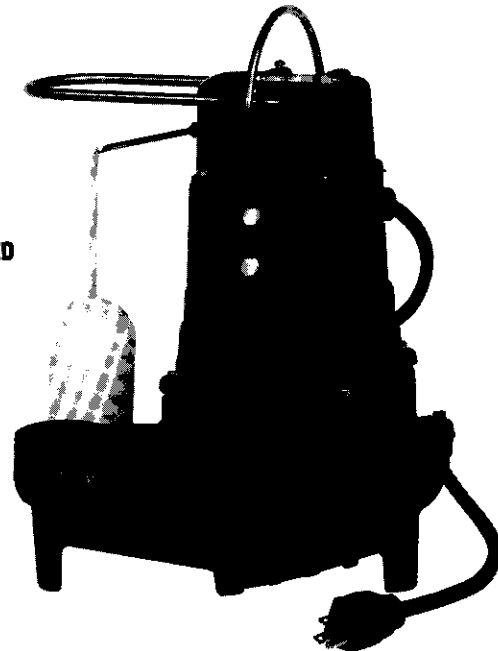
FOR SEPTIC TANK
LOW PRESSURE PIPE (LPP)
AND ENHANCED FLOW STEP SYSTEMS

EFFLUENT

OR DEWATERING PUMP
SUBMERSIBLE
1½" NPT DISCHARGE



Sump & Sewage Pump
Mfg. Assoc.
SSPMA Specification
Number
137 Series SC2225
139 Series SB1115



**DESIGNED FOR
HEAVY DUTY
EFFLUENT APPLICATION**

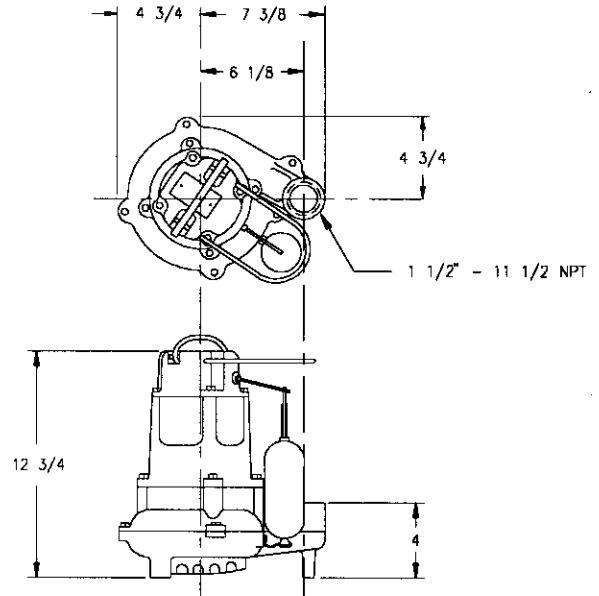
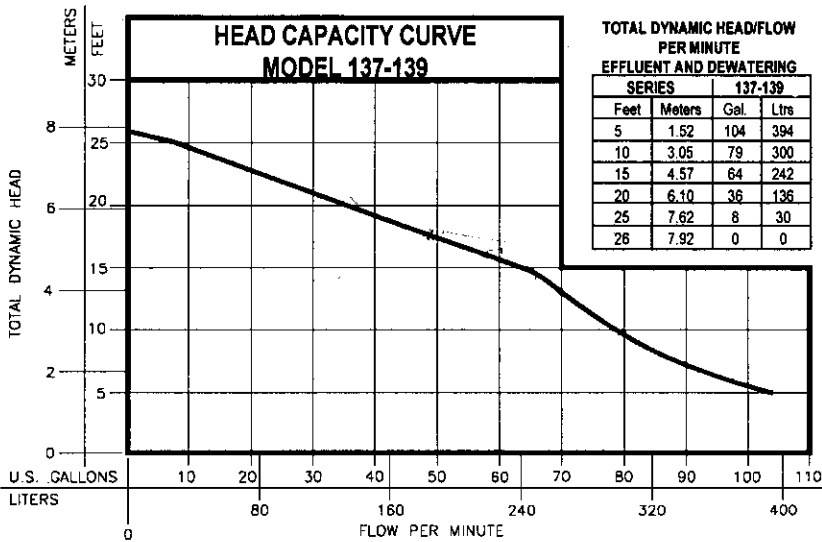
MODELS AVAILABLE

- Automatic or Non-Automatic
- ½ H.P., 1 Ph., 200-208V or 230V
- ½ H.P., 3 Ph., 200-208V, 230V, or 460V



Vortex Type Impeller

* NOTE: No UL listing for 200-208V/1Ph, 460V/3Ph, or Extra Duty (ED) pumps.



CONSULT FACTORY FOR SPECIAL APPLICATIONS

- Three phase pumps are available in 200/208V or 230V.
- Electrical alternators, for duplex systems, are available and supplied with an alarm.
- Mechanical alternators, for duplex systems, are available available with or without alarm switches.
- Combination starters are available for 3 phase pumps.
- Control alarm systems are available for 1 phase pumps.

- Variable level control switches are available for controlling single and three phase systems.
- Double piggyback variable level float switches are available for variable level long cycle controls.
- Long cords are available in lengths of 15-25-35-50 feet.
- Over 130°F. (54°C.) special quotation required.
- Refer to FM0806 for 200° F. applications.

137 Series - 47 lbs. - 1/2 H.P.

139 Series - 51 lbs. - 1/2 H.P.

Model	137/139 Series			Control Selection			Listings	
	Volts-Ph	Mode	Amps	Simplex	Duplex	CSA	UL	
M137/139	115	1	Auto	10.4	1 or 1 & 6	---	Y	Y
N137/139	115	1	Non	10.4	2 or 2 & 7	3 or 5 & 6	Y	Y
D137/139	230	1	Auto	5.8	1 or 1 & 6	---	Y	Y
E137/139	230	1	Non	5.8	2 or 2 & 7	3 or 5 & 6	Y	Y
H137/139	200-208	1	Auto	6.2	1 & 6	---	Y	N
I137/139	200-208	1	Non	6.2	2 & 7	3 or 5 & 6	Y	N
J137/139	200-208	3	Non	2.6	2 & 4	3&4 or 5&6	Y	Y
F137/139	230	3	Non	2.6	2 & 4	3&4 or 5&6	Y	Y
G137	460	3	Non	1.2	2 & 4	3&4 or 5&6	Y	N
G139	460	3	Non	1.2	2 & 4	3&4 or 5&6	N	N

No molded plug

Pumps must be operated in upright position.

Three phase units require a control switch to operate an external magnetic or combination starter.

For information on additional Zoeller products refer to catalog on Combination starter, FM0514; Piggyback Variable Level Float Switches, FM0477; Electrical Alternator, FM0486; Mechanical Alternator, FM0495; Alarm Package, FM0513; and Sump/Sewage Basins, FM0487.

SELECTION GUIDE

1. Integral float operated 2 pole mechanical switch, no external control required.
2. Single piggyback variable level float switch or double piggyback variable level float switch. Refer to FM0447.
3. Mechanical alternator "M-Pak" 10-0072 or 10-0075.
4. Combination Starter. Refer to FM0514.
5. See FM0712 for correct model of Electrical Alternator "E-Pak".
6. Variable level control switch 10-0225 used as a control activator, specify duplex (3) or (4) float system.
7. Four (4) hole "J-Pak", junction box, for water tight connection or wired-in simplex or 2 pump operation, 10-0002.
8. Two (2) hole "J-Pak", for Watertight connection or splice, 10-0003.

CAUTION

All installation of controls, protection devices and wiring should be done by a qualified licensed electrician. All electrical and safety codes should be followed including the most recent National Electric Code (NEC) and the Occupational Safety and Health Act (OSHA).

RESERVE POWERED DESIGN

For unusual conditions a reserve safety factor is engineered into the design of every Zoeller pump.



ZOELLER
PUMP CO.

MAIL TO: P.O. BOX 16347
Louisville, KY 40256-0347
SHIP TO: 3280 Old Millers Lane
Louisville, KY 40216
(502) 778-2731 • 1 (800) 928-PUMP
FAX (502) 774-3624

Manufacturers of . . .

QUALITY PUMPS SINCE 1939™