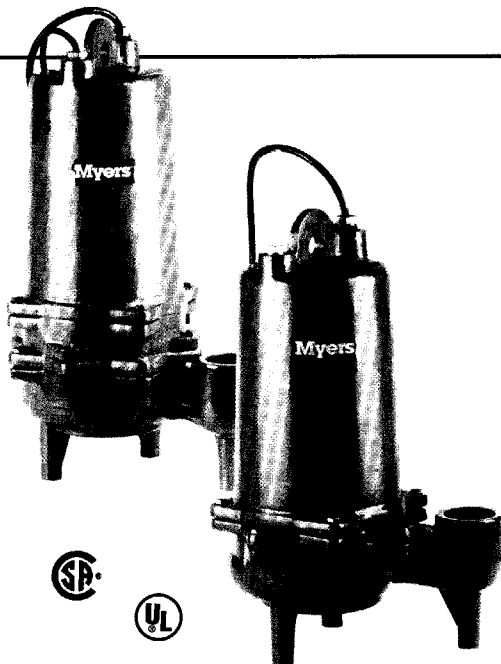


MW450
= 84 lbs.

MW SERIES

2" Solids Handling Sewage Pumps, Single and Double Seal



THE HEAVY-DUTY MYERS MW SERIES SEWAGE PUMPS ARE DESIGNED FOR USE IN LIGHT COMMERCIAL AND RESIDENTIAL RAW SEWAGE APPLICATIONS. MW pumps will pass a full 2" sphere. The enclosed two-vane impeller provides high efficiency pumping and will handle stringy, trashy solids normally found in raw sewage applications. Ideal for a variety of sewage applications ranging from private household to light commercial installations. Available in double seal configuration for extended motor life. For more information, call your Myers distributor or the Myers, Ashland, Ohio, sales office at 419-289-1144.

ADVANTAGES BY DESIGN IDEAL FOR USE IN RESIDENTIAL AND LIGHT COMMERCIAL SEWAGE APPLICATIONS

- High efficiency, two vane, enclosed impeller provides ideal pump performance.
- Impeller passes full 2 inch solids.
- Enclosed impeller design eliminates possibility of jamming or corrosion between impeller and volute.

DURABLE MOTOR WILL DELIVER MANY YEARS OF RELIABLE SERVICE

- Oil-filled motor for maximum heat dissipation and constant bearing lubrication.
- High torque, permanent split capacitor (PSC), single phase motors. No starting switches or relays to wear out.
- Optional seal leak probe warns of seal leak condition. (Dual seal motors only.) Helps prevent costly motor damage.
- Motors have on winding current and temperature sensitive overload. (Single phase only.)

THE MW SERIES SEWAGE PUMPS ARE DESIGNED FOR YEARS OF MAINTENANCE FREE OPERATION

- Volute seal ring is replaceable. Restores pump to original performance if wear should occur.
- Motor is held in place by 4 screws. Easily removed if service is ever needed.

PRODUCT CAPABILITIES

Capacities To	165 GPM	624 LPM
Heads To	70 ft.	21.3 m
Max. Spherical Solids	2 in.	50.6 mm
Liquids Handling	domestic sewage & drain water	
Intermittent Liquid Temp.	up to 140° F	up to 60° C
Motor Electrical Data	½ to 2 HP, 208, 230 volts, 1 ph 208, 230, 460, 575 volts, 3 ph oil-filled, permanent split capacitor type, 1 ph, 3450 rpm, 60 Hz	
Motor Insulation	Class B (130° C)	
Third Party Approvals	UL, CSA	
Acceptable pH Range	5-9	
Specific Gravity	9-1.1	
Viscosity	28-35 SSU	
Discharge, NPT	2 in.	50.8 mm
Min. Sump Dia. Simplex Duplex	24 in. 36 in.	61cm 91.4 cm

Construction Materials

Motor Housing, Volute	cast iron, Class 30, ASTM A48	
Enclosed Two Vane Impeller Standard Optional	cast iron, Class 30, ASTM A48 bronze	
Impeller Wear Ring	304 SST	
Volute Sealing Ring	Buna-N	
Shaft	416 SST	
Power Cord All 1 Ph All 3 Ph	20 ft. 14/3 SJOW/SJOW-A 20 ft. 14/4 SOW/SOW-A	
Shaft Seals Standard Optional Opt. Lower	single carbon & ceramic tandem carbon & ceramic tungsten carbide	
Fasteners	300 Series SST	

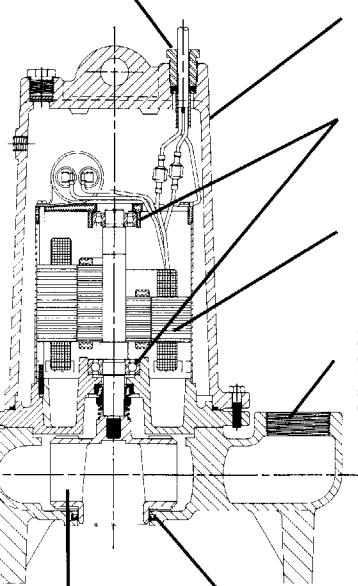
WHERE INNOVATION MEETS TRADITION

Myers

MW SERIES

2" Solids Handling Sewage Pumps,
Single and Double Seal

POWER CORD
Jacket sealed with compression fittings. Individual wires potted with epoxy to prevent wicking in case of cord damage.



MOTOR HOUSING
Cast iron for efficient heat transfer and corrosion resistance.

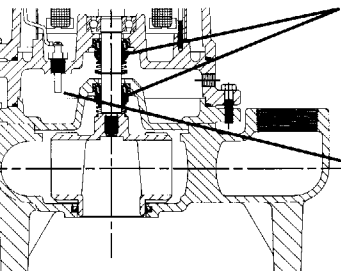
BEARINGS
Upper and lower ball support rotor. Take radial and thrust loads.

MOTOR
1/2, 1, 1-1/2 an 2 HP single or three phase, 60 Hz, 3450 RPM. Single phase PSC motors have built-in on winding overload protection, oil-cooled and lubricated.

HIGH EFFICIENT CAST IRON VOLUTE
Corrosion resistant. Passes 2" spherical solids. 2" NPT discharge.

ENCLOSED TWO VANE IMPELLER
High efficiency. Passes 2" spherical solids. Standard cast iron or optional bronze construction available.

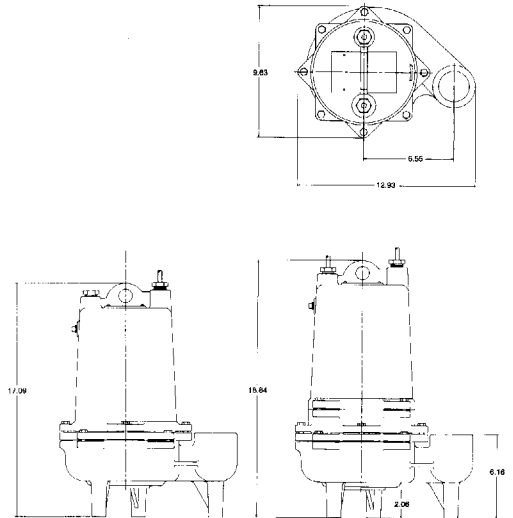
VOLUTE/IMPELLER SEAL RING
Maintains high efficiency and reduces recirculation. Replaceable.



SHAFT SEAL(S)
Carbon and ceramic faces. Optional dual tandem seals. Extends motor life.

SEAL LEAK PROBE
Optional probes (dual seal only) detect water leakage in seal housing. Activates warning light.

DIMENSIONS



PERFORMANCE CURVE

