

# ME3 SERIES

High Head (ME3H) and High Flow (ME3F)  
Submersible Effluent Pumps



ME3F



ME3H



**THE MYERS ME3 SERIES ARE RUGGED 1/3 HP EFFLUENT PUMPS DESIGNED FOR DEMANDING EFFLUENT PUMPING JOBS WHERE DEPENDABILITY IS A MUST.**

The ME3 is constructed of only the highest quality corrosion resistant materials - like cast iron, stainless steel and engineered thermoplastics - to provide many years of service in the harsh effluent environment. The ME3 is available with a recessed impeller for high-head applications or an enclosed impeller for high-flow applications - both will pass a full 3/4" spherical solid. The ME3 is available in automatic models with piggy-back mechanical float switch or manual models for use with external controls. For more information, call your Myers distributor today or the Myers Ashland, Ohio sales office at 419/289-1144.

## ADVANTAGES BY DESIGN

### DURABLE MOTOR WILL DELIVER MANY YEARS OF RELIABLE SERVICE.

- Oil-filled motor for maximum heat dissipation and continuous bearing lubrication.
- Overload protected, shaded pole motor eliminates starting switches and relays which are prone to fail.
- Heavy cast iron motor housing and volute case dissipate heat, allow motor to run cooler for extended life.

### THE ME3 IS ENGINEERED FOR MANY YEARS OF MAINTENANCE-FREE OPERATION.

- Field tested, wide angle, mercury-free mechanical float switch for maximum draw down. (Automatic piggy-back models only).
- Automatic pump models can be operated manually by unplugging piggy-back switch and plugging pump directly into outlet.
- Passes a full 3/4" solid.

## PRODUCT CAPABILITIES

Capacities To	ME3H ME3F	36 gpm 66 gpm	136 lpm 250 lpm
Heads To	ME3H ME3F	36 ft. 32 ft.	11.0 m 9.75 m
Max. Spherical Solids		3/4 in.	19 mm
Liquids Handling	domestic effluent and drain water		
Intermittent Liquid Temp.		up to 140°F	up to 60°C
Motor Electrical Data	1/3 hp, 1550 rpm shaded pole, oil-filled 115 volts, 11.5 amps, 1 ph, 60 hz 230 volts, 5.8 amps, 1 ph, 60 hz		
Third Party Approvals	UL, CSA		
Acceptable pH Range	5 - 9		
Specific Gravity	.9 - 1.1		
Viscosity	28 - 35 SSU		
Discharge, NPT		1-1/2 in.	50.8 mm
Min. Sump Dia.	Simplex Duplex	24 in. 36 in.	60.1 cm 91.4 cm

### Construction Materials

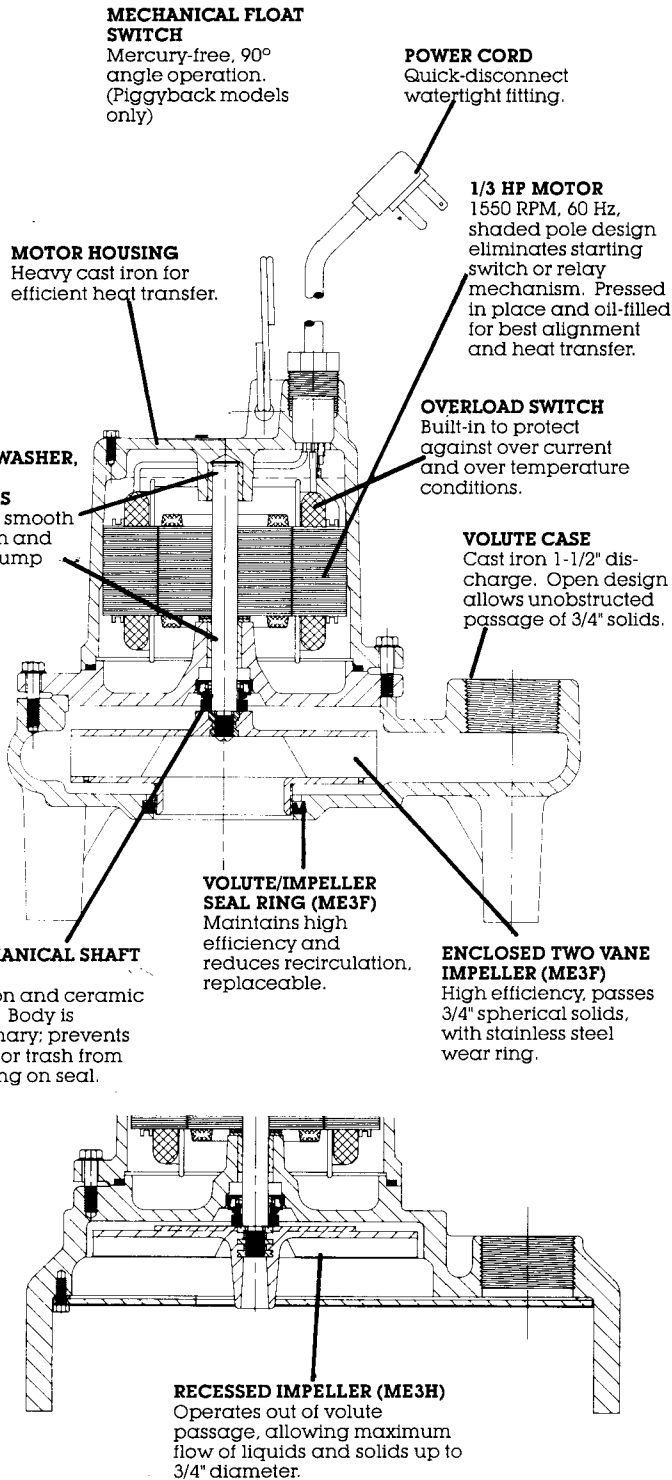
Motor Housing	cast iron, Class 30, ASTM A48
Impeller	engineered thermoplastic
Impeller Type	ME3H ME3F
	recessed enclosed
Impeller Wear Ring (ME3F only)	304 SST
Volute	cast iron, Class 30, ASTM A48
Volute Sealing Ring (ME3F only)	Buna-N
Power Cord	10 or 20 ft., 16/3 SJTW/SJTW-A
Mechanical Shaft Seal	carbon and ceramic
Fasteners	300 Series SST

**WHERE INNOVATION MEETS TRADITION**

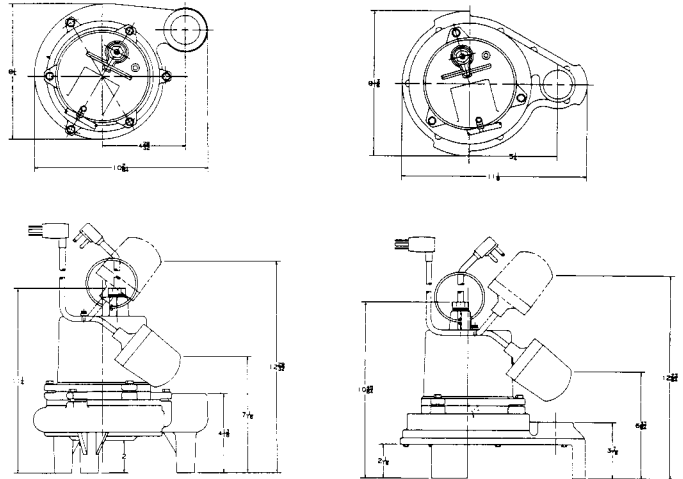
**Myers®**

# ME3 SERIES

High Head (ME3H) and High Flow (ME3F)  
Submersible Effluent Pumps



## DIMENSIONS



(ME3F)

(ME3H)

## PERFORMANCE CURVE

